



TECHNICAL DATA / FEATURES

- dimensions: 182x86x81
- light functions: fog light, driving
- function markings: B, HR
- reference mark: -, 17,5
- source of light: H3
- maximum power: 70W
- nominal voltage: 12V-24V DC
- optics: standard
- IP rating: IP65
- housing's material: plastic
- housing's colour: black, chrome-plated
- lens' material: glass
- lens' colour: clear, blue
- mounting: M8
- built-in connectors: -
- other: stone guard
blister pack



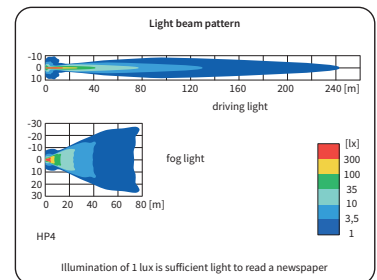
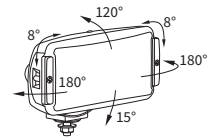
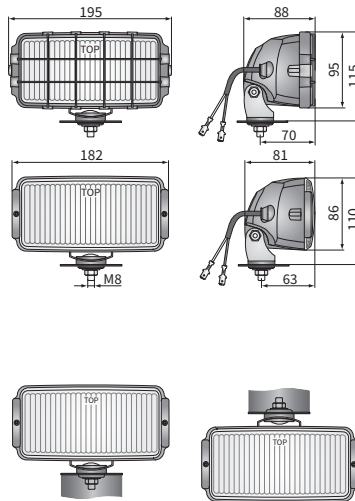
ADDITIONAL INFORMATION

To be mounted at the front of the car or truck. They can be installed in an upright or upside down position.

In chrome-plated version the plastic grip is steel-reinforced. The bracket parts, in chrome-plated version, are made of Inox steel.

It is possible to install needed connectors on wire (on request).

DIMENSIONS



Cat. number	Homologation code	Light functions		Lens colour		housing	black	chrome-plated	Accessories	bulb H3 12V	bulb H3 24V	stone guard	cable 0,15 m	Side	right	left	Connectors	AMP Faston 250	Deutsich DT	AMP SuperSeal 1,5	Packaging / pc	carton box
		fog light	driving	clear	blue																	
HP4.18269	182	✓		✓			✓							✓	✓							1
HP4.18670	182	✓		✓			✓			✓				✓	✓							1
HP4.18279	182	✓		✓			✓	✓						✓	✓							1
HP4.18469	184		✓	✓			✓							✓	✓							1
HP4.18870	184		✓	✓			✓			✓				✓	✓							1
HP4.18479	184		✓	✓			✓	✓						✓	✓							1
HP4.18860	184		✓	✓			✓			✓				✓	✓							1
HP4.18489	184		✓	✓	✓		✓							✓	✓							1
HP4.18880	184		✓	✓			✓			✓				✓	✓							1
HP4.18499	184		✓	✓			✓	✓						✓	✓							1
HP4.18890	184		✓	✓	✓		✓			✓				✓	✓							1