



TECHNICAL DATA / FEATURES

- dimensions: 246x136x159
- light functions: passing, driving, position
- function markings: HC/R, A
- traffic: right-hand
- reference mark: 12.5
- source of light: H4, T4W
- maximum power: 75/70W, 4W
- nominal voltage: 12V-24V DC
- optics: standard
- IP rating: IP54
- housing's material: metal, plastic
- lens' material: glass
- built-in connectors: -
- other (optional): levelling system



ADDITIONAL INFORMATION

To be mounted in factory designed locations or in the front bumper recesses.

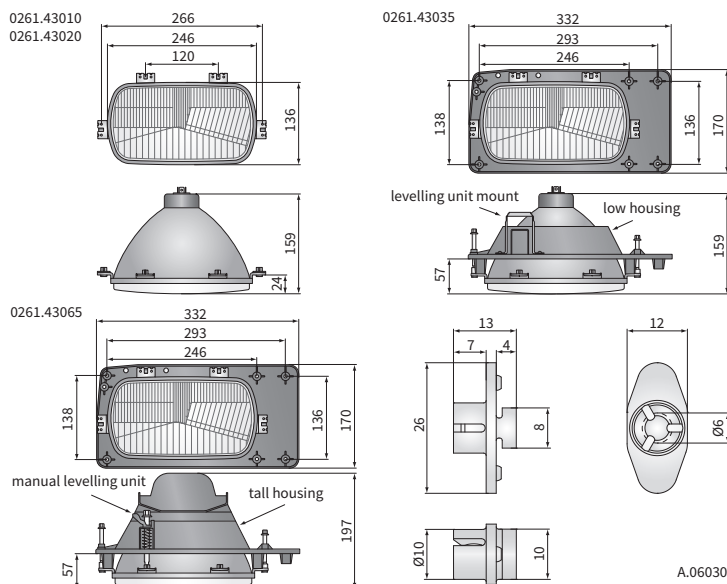
Useful parts while installing:

- main bulb gasket - cat. No. A.05820
- electric levelling unit $\phi 6$ long - cat. No. A.09050
- position light bulb holder - cat. No. A.05921
- mounting snaps $\phi 6$ - cat. No. A.06030

Dedicated application:

- A - Lublin I (from 1993)
- B - Lublin II (from 1997), Lublin III (from 1999)
- C - Autosan, Jelcz, Star, Star-Man
- D - Jelcz, Autosan

DIMENSIONS



Cat. number	Homologation code	Light functions			Type	H4	Accessories							Side		Application		Packaging / pc	
		passing	driving	position			bulb H4 12V	bulb H4 24V	bulb T4W	short housing	tall housing	bulb gasket	manual levelling unit	fixing for levelling unit	right	left	dedicated	carton box	
0261.43020	261	✓	✓		✓									✓	✓	A/B	1		
0261.43010	261	✓	✓	✓	✓									✓	✓	C/D	1		
0261.43061	261	✓	✓		✓	✓			✓					✓		A	1		
0261.43062	261	✓	✓		✓	✓			✓					✓		A	1		
0261.43035	261	✓	✓		✓	✓			✓					✓		B	1		
0261.43036	261	✓	✓		✓	✓			✓					✓		B	1		
0261.43069	261	✓	✓	✓	✓				✓					✓		C	1		
0261.43060	261	✓	✓	✓	✓				✓					✓		C	1		
0261.43065	261	✓	✓	✓	✓				✓					✓		D	1		
0261.43066	261	✓	✓	✓	✓				✓					✓		D	1		