



TECHNICAL DATA / FEATURES

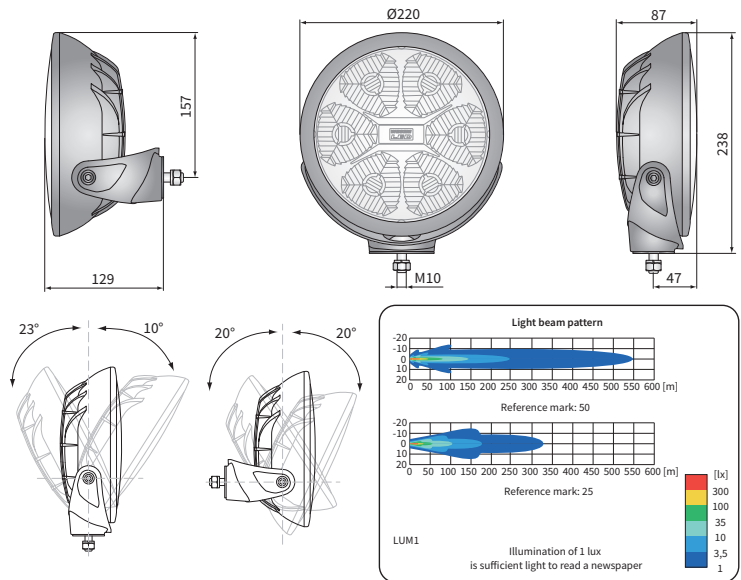
- dimensions: $\phi 220 \times 87$
- light functions: driving, parking
- function markings: HR, A
- maximum power: 27W, 3W
- nominal voltage: 12V-24V DC
- permissible power supply voltage: 10.5V-30V DC
- reference mark: 50, 25
- source of light: 6 x LED
- IP rating: IP67, IP69K
- work temperature: $-40^{\circ}\text{C} - +80^{\circ}\text{C}$
- housing's material: aluminium
- housing's colour: black, chrome-plated
- lens' material: glass
- built-in connectors: -
- other: protection:
 - against overheating
 - against reverse polarisation
- screws made of Inox steel



ADDITIONAL INFORMATION

Stylish and robust lamps dedicated for trucks.
 LED technology used in driving and position light guarantees the highest efficiency. Two reference marks are available what allows to choose optimal light range.
 The lamps comply with EMC Directive 2004/108/EC. They do not emit electromagnetic interference as well as they are resistant to it's influence.
 Correct polarity required.
 Mounting: as a freestanding or on vertical body work panels.
 It is possible to install needed connectors on wire (on request).

DIMENSIONS



Cat. number	Hella Catal. No.	Homologation code	Light functions		Position light colour		Reference mark		IP rating	housing		Accessories	Connectors				
			driving	parking	clear	orange	50	25		IP67	IP69K		black	chrome-plated	AMP Faston 250	Deutsch DT	AMP SuperSeal 1,5
LUM1.50800	1F8 011 002-001	084	✓	✓	✓		✓		✓	✓	✓	✓	✓	✓	✓		
LUM1.50804	1F8 011 002-001	084	✓	✓	✓		✓		✓	✓	✓	✓	✓	✓	✓		
LUM1.50880		084	✓	✓	✓	✓	✓		✓	✓	✓	✓	✓	✓	✓		
LUM1.50805	1F8 011 002-001	084	✓	✓	✓		✓		✓	✓	✓	✓	✓	✓	✓		
LUM1.50806	1F8 011 002-001	084	✓	✓	✓		✓		✓	✓	✓	✓	✓	✓	✓		
LUM1.50810		084	✓	✓	✓		✓		✓	✓	✓	✓	✓	✓	✓		
LUM1.50850		087	✓	✓	✓			✓	✓	✓	✓	✓	✓	✓	✓		
LUM1.50853		087	✓	✓	✓			✓	✓	✓	✓	✓	✓	✓	✓		
LUM1.50854		087	✓	✓	✓			✓	✓	✓	✓	✓	✓	✓	✓		
LUM1.50855		087	✓	✓	✓			✓	✓	✓	✓	✓	✓	✓	✓		
LUM1.50860		087	✓	✓	✓			✓	✓	✓	✓	✓	✓	✓	✓		